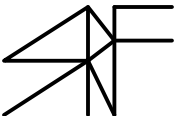
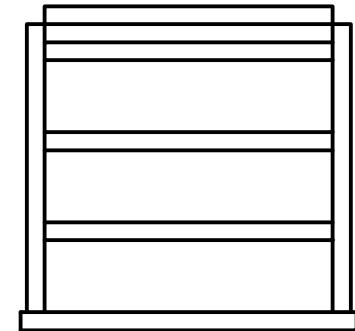
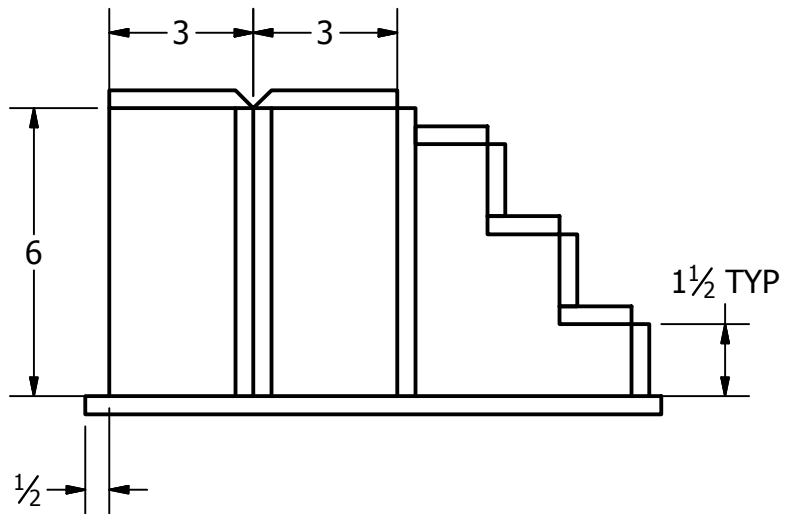
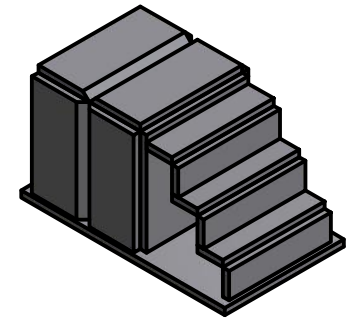
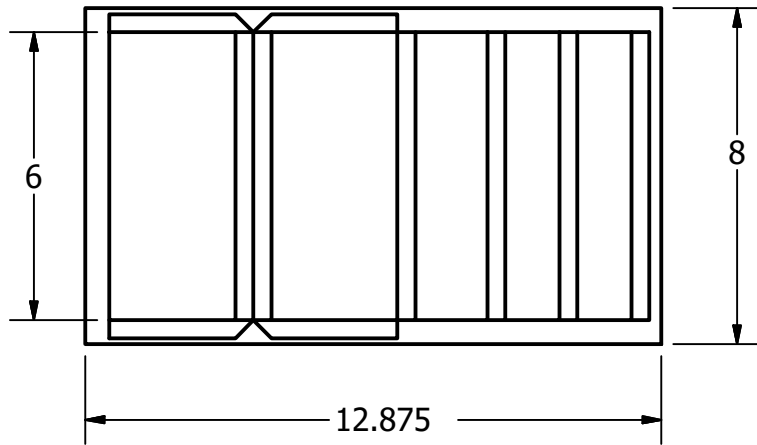
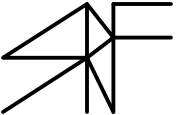


Note: Must be tacked up before welding and placed flat on table, No flipping project when welding
All groove welds full penetration .

DRAWN Scott Friesen 	28/01/2014	2020 Regional - Steps		



DRAWN Scott Friesen	29/01/2014	2020 Regional - Steps		
				
				SHEET 1 OF 1