

# 2020 REGIONAL SKILLS CANADA COMPETITION



## 2020 South West Regional Skills Canada Competition

*Contest Description (Scope Document)*

Lethbridge College

Saturday, April 4, 2020

<b>EVENT:</b> Carpentry		<b>LEVEL:</b> Secondary										
<b>DURATION OF CONTEST:</b> 5.5 HOURS		<b>LOCATION</b> Lethbridge College TR 1835										
<b>COMPETITION SCHEDULE:</b> <table border="1"> <tr> <td><b>CHECK IN (CE 1305)</b></td> <td>7:30 A.M.</td> </tr> <tr> <td><b>ORIENTATION</b></td> <td>7:45 A.M.</td> </tr> <tr> <td><b>COMPETITION BEGINS</b></td> <td>8:00 A.M.</td> </tr> <tr> <td><b>LUNCH</b></td> <td>11:45 A.M. – 12:15 P.M.</td> </tr> <tr> <td><b>COMPETITION ENDS</b></td> <td>2:00 P.M.</td> </tr> </table>		<b>CHECK IN (CE 1305)</b>	7:30 A.M.	<b>ORIENTATION</b>	7:45 A.M.	<b>COMPETITION BEGINS</b>	8:00 A.M.	<b>LUNCH</b>	11:45 A.M. – 12:15 P.M.	<b>COMPETITION ENDS</b>	2:00 P.M.	<b>REGIONALIZED: YES</b> <b>REGIONALIZED: YES</b> If YES, To compete at the Provincial Skills Canada Competition students must qualify at their Regional Skills Canada Competition.
<b>CHECK IN (CE 1305)</b>	7:30 A.M.											
<b>ORIENTATION</b>	7:45 A.M.											
<b>COMPETITION BEGINS</b>	8:00 A.M.											
<b>LUNCH</b>	11:45 A.M. – 12:15 P.M.											
<b>COMPETITION ENDS</b>	2:00 P.M.											
<b>AWARDS CEREMONY INFORMATION</b> The awards ceremony will be held at 4:00 p.m. in the IB Theatre. It is open to the public; parents are encouraged to attend.												

### CONTEST INTRODUCTION

- To evaluate each contestant's competency to organize and execute a given work assignment accurately and safely in the carpenter trade.
- To recognize outstanding excellence and professionalism.

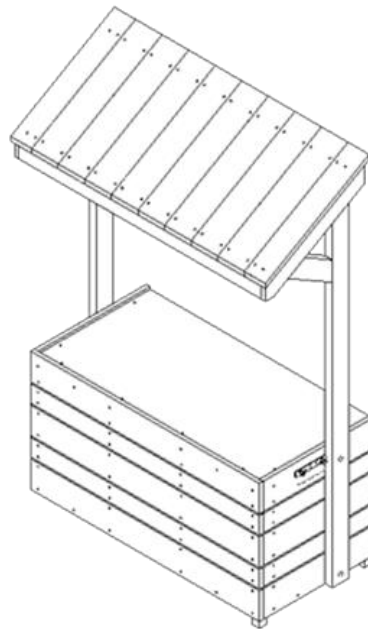
### SKILLS AND KNOWLEDGE TO BE TESTED

- Demonstrate skills and competency in interpreting prints, shop drawings, and specifications.
- Demonstrate the safe use of hand and power tools.
- Demonstrate acceptable site management, housekeeping, and best practices.
- Proficient knowledge and demonstration of skill in; framing, cutting and drilling materials, fastening techniques, joinery, determining angles & elevations, trim & finishing.
- Quality, accuracy and thoroughness of workmanship.
- Ability to complete an assignment within a specified time frame.

### PROJECT DESCRIPTION

Please see the attached dimensional print. Please note that as in the previous year, a dimensional print will be released with the contest description in addition to the isometric image. On the day of the Regional competition, competitors will also be provided the dimensional print with their contest description; however, the competition may be changed up to 30%.

# 2020 REGIONAL SKILLS CANADA COMPETITION



**Lemonade Stand**

## EQUIPMENT & MATERIALS

### Equipment and Materials Competitors Must Supply:

### Equipment and Materials Competitors Must Supply:

- CSA approved steel toed shoes/work boots (toe caps provided for competitors without approved footwear)
- Suitable work clothing
- Competitors are required to follow all industry safety standards during the competition.

**\*NO personal electronic data devices (cell phones, smartphones, tablets, etc.) will be allowed in the competition area.**

### Equipment and Materials Supplied by the Committee:

Measuring/Layout	Cutting Tools	Assembly Tools	Misc.
Pencils	10-12 Point Finishing Hand Saw	Hammer	Non-Programmable Calculator
Metric Tape Measure	Wood Chisels	Screwdriver (Rob #2)	Speed or Pipe Clamps
Framing Square	Smooth Plane		Sanding Block

# 2020 REGIONAL SKILLS CANADA COMPETITION



Speed Square	Block Plane	<b>Disassembly Tools</b>	Sandpaper
Combination Square	<b>Power Tools</b>	Examples:	Clamps over 12"
Sliding T-Bevel	Drill	Glazing Bar	
Stair Gauges	Impact Driver	Cat's paw	
Chalk Line	Jigsaw	Wonder Bar	
Saw Horses	Circular Saw	<b>Safety</b>	<b>Materials</b>
	Driver Bits	CSA approved safety glasses, hearing protection and hard hat	All materials and fasteners will be provided for the project
	Drill Bits		

*The above noted power tools and equipment will be provided however, competitors may bring their own if they wish as per the above list.*

**\* No additional power tools or power tools accessories will be allowed during the competition.**

**\* Any tool or equipment not contained in the scope will be inspected and approved/removed by committee member.**

## JUDGING CRITERIA

- SAFETY/CLEAN-UP 10%
- DIMENSIONS 30%
- CONSTRUCTION 40%
- SALABILITY 10%
- MATERIAL USAGE 10%

---

OVERALL TOTAL 100%

## TIE BREAKING PROCESS

If two or more participants are tied in points at the end of the competition, the following tie breaking procedure will be used:

**Step 1.** Participant with the highest Safety score.

**Step 2.** Participant who has completed the project in the least amount of time.

**Step 3.** Re-evaluate the projects with different judges.

**\*PLEASE NOTE: Unsafe work practices will result in points being deducted from the competitor's overall score.**

**\*PLEASE NOTE: Any communication between spectators (including teachers, parents, chaperones, etc.) and competitors during the contest times may be seen as coaching and could result in points being deducted from the competitor's overall score.**

## RELATED CAREER AND TECHNOLOGY STUDIES COURSES

Descriptions of all modules are located at the following website:

[https://education.alberta.ca/media/160534/con\\_course\\_summaries\\_old.pdf](https://education.alberta.ca/media/160534/con_course_summaries_old.pdf)

CON 1010 CONSTRUCTION TOOLS AND MATERIALS

# 2020 REGIONAL SKILLS CANADA COMPETITION



- CON 1070 BUILDING CONSTRUCTION
- CON 1120 PRODUCT MANAGEMENT
- CON 2045 FRAMING SYSTEMS – WALL
- CON 2050 ROOF STRUCTURES 1
- CON 3110 SITE MANAGEMENT

## SAFETY

The health, safety and welfare of all individuals involved with Skills Canada Alberta are of vital importance. Safety is a condition of participation with Skills Canada Alberta and shall not be sacrificed for the sake of expediency. At the discretion of the judges and technical committees, any competitor can be denied the right to participate should they not have the required proper safety equipment and/or act in an unsafe manner that can cause harm to themselves or others.

### Safety Requirements: MANDATORY

- CSA approved footwear – green triangle standard (Competitor)
- CSA approved hard hat (Provided by Committee)
- CSA approved safety glasses (Provided by Committee) However, prescription glasses must conform to CSA regulations.
- CSA approved hearing protection (Provided by Committee)
- Suitable work clothing (Competitor)

Competitors are required to follow all industry safety standards during the competition.

## CLOTHING REQUIREMENT

It is important that competitors present a professional image and appearance. Appropriate work clothing must be worn to compete. All clothing must be neat and clean and free of rips and tears. Casual wear such as shorts will not be permitted. No loose fitting clothes or jewelry.

## ADDITIONAL INFORMATION

Lunch will be provided for all competitors, teacher chaperones, judges, and volunteers. Your lunch ticket will be in the back of your name tag.

## PARKING INFORMATION & VENUE MAPS

Please park in Lot O – there is no charge. Overflow will also be allowed in Lot N. A printable parking map of Lethbridge College can be found at: <http://www.lethbridgecollege.ca/campus-maps>

## REGIONAL REGULATIONS & POLICIES

A copy of the Skills Canada Alberta Regional Regulations & Policies can be found at the following link: <http://www.skillsalberta.com/policies-and-procedures>

## COMMITTEE MEMBERS

Leon Wensmann	Lethbridge College
Shawn Scotney	Lethbridge College
Mark Adams	Lethbridge College

# 2020 REGIONAL SKILLS CANADA COMPETITION



Brody Forster	Lethbridge College
Tyrel Churko	Lethbridge College
Zac Harris	Matthew Halton High School
Rob Burton	Ramton Homes
Tara Yagos	Career Transitions